




WATERTIGHT JUNCTION BOXES

ROUND PRESS-ON LID - IP54 Φ65x35 Φ80x40

TECHNICAL DATA SHEET

Directive	LVD 2014/35/EU				
Standards Amends	EN 60670-1:2005+A1:2013 Boxes and Enclosures, Electrical Installations EN 60670-22:2006 Boxes and Enclosures, Particular Requirements EN 60529 Degrees of Protection , Enclosures, IP Rate				
RoHS Compliant	2022/95/EC Restriction of Hazardous substances, RoHS				
Applications	Indoor – Outdoor - Residential – Industrial Plastic Junction box with Press-On Lid Wiring, Junction or Extension With flexible Glands, entries for Accessories - Conduits - Cables				
Installations	Exposed – Wall mounted				
	Wiring, Power, Lighting, Automation, Telecom, CCTV, 				
Material	Polyvinyl Chloride > U-PVC				
Characteristics	IP Rate	Solid	5	Water	4
	Glow Wire Test	850 °C			
	Resistance - UV	R			
	Resistance - Chemicals	R			
	Resistance - Fire	FR-SE			
	Dielectric Strength	400V			
	Temperature range	-15 °C		+60 °C	
	Color.1	Grey RAL7035	Color.2	White	



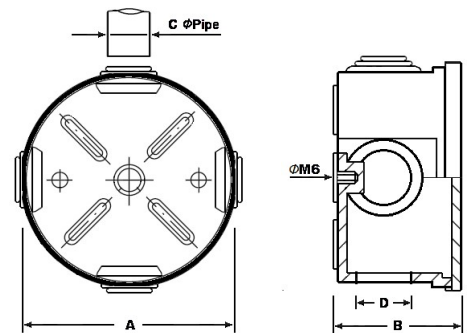
WATERTIGHT JUNCTION BOXES

ROUND PRESS-ON LID - IP54

φ 65x35



TYPE	65x35 G	65x35 W
CODE	32-210 01-635	32-210 20-635
A Ø_mm	65	65
B / mm	35	35
C Glands Pipe OD Ø_mm	16/20	16/20
D Entries Ø_mm	23	23
COLOR	Grey RAL7035	White RAL9010
Packing / pcs	60	60



ROUND PRESS-ON LID - IP54

φ 80x40



TYPE	80x40 G	80x40 W
CODE	32-210 02-804	32-210 21-804
A Ø_mm	80	80
B / mm	40	40
C Glands Pipe OD Ø_mm	16/20	16/20
D Entries Ø_mm	23	23
COLOR	Grey RAL7035	White RAL9010
Packing / pcs	60	60

