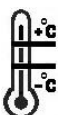


PRESS-ON LID & KNOCK OUTS – IP55 90x43 - 75x75 - 85x85



TECHNICAL DATA SHEET

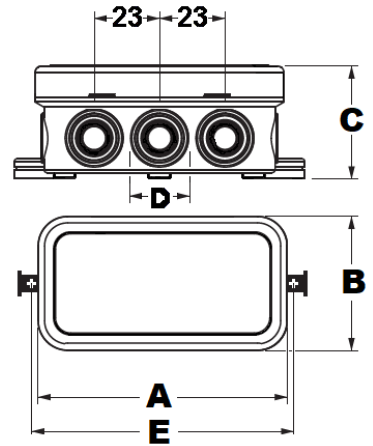
Directive	LVD 2014/35/EU		
Standards Amends	EN 60670-1:2005+A1:2013 Enclosures, Electrical Installations EN 60670-22:2006 Boxes and Enclosures, Particular Requirements EN 60529 Degrees of Protection , Enclosures, IP Rate		
Halogen acid gas Amount :	DIN EN 60754-1 (VDE 0482-754-1) : 2015-08 EN 60754-1:2014		
Applications	Indoor – Outdoor - Residential – Profesional Plastic box with Press-On Lid and punching entries Wiring, Junction or Extension – General Propose		
Installations	Exposed – Wall mounted		
	Wiring, Power, Lighting, Automation, Telecom, CCTV, FIBER		
Structural Material	Modified Thermoplastic Polyolefin		
Characteristics	IP Rate	55	
	Glow Wire Test	650 °C	
	Resistance - UV	LR	
	Resistance Chemicals	R	
	Resistance Impact	R	
	Dielectric Strength	400V	
	Temperature Range	-5 °C	+45 °C
	Color	Grey - RAL7035	



PRESS-ON LID & KNOCK OUTS - IP55 90x43x40



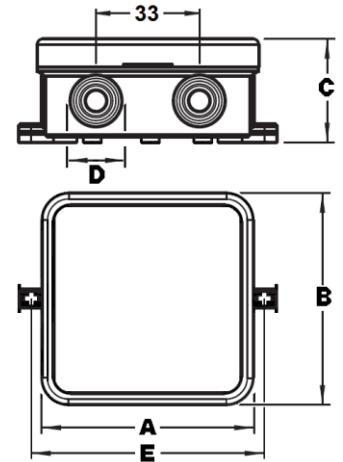
TYPE	90x43x40
CODE	32-21060-904
A_mm	90
B_mm	43
C_mm	40
Internal Dm / mm	80x32x35
D_ Entries	10
Cable Ø_mm	5 - 14
Cable cross section mm ²	1,5 – 2,5
E_mm	97
Color	Grey RAL7035
Packing / pcs	40



PRESS-ON LID & KNOCK OUTS - IP55 75x75x40



TYPE	75x75x40
CODE	32-20061-754
A_mm	75
B_mm	75
C_mm	40
Internal Dm / mm	66x66x35
D_ Entries	7
Cable Ø_mm	5 - 14
Cable cross section mm ²	1,5 – 2,5
E_mm	84
Color	Grey RAL7035
Packing / pcs	32



PRESS-ON LID & KNOCK OUTS - IP55 85x85x40



TYPE	85x85x40
CODE	32-20062-854
A_mm	85
B_mm	85
C_mm	40
Internal Dm / mm	75x75x35
D_ Entries	12
Cable Ø_mm	5 - 14
Cable cross section mm ²	1,5 – 2,5
E_mm	92
Color	Grey RAL7035
Packing / pcs	32

