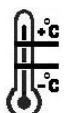
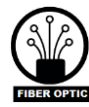
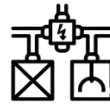


## PRESS-ON LID & KNOCK OUTS – IP55 90x43 - 75x75 - 85x85



### TECHNICAL DATA SHEET

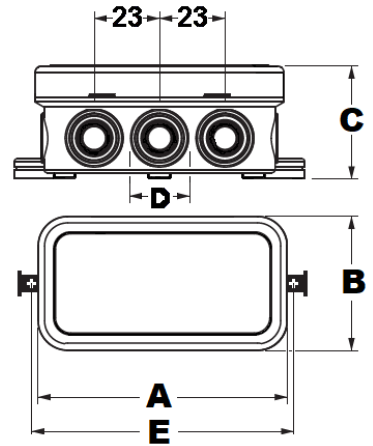
Directive	LVD 2014/35/EU		
Standards Amends	EN 60670-1:2005+A1:2013 Enclosures, Electrical Installations EN 60670-22:2006 Boxes and Enclosures, Particular Requirements EN 60529 Degrees of Protection , Enclosures, IP Rate		
Halogen acid gas Amount :	DIN EN 60754-1 (VDE 0482-754-1) : 2015-08 EN 60754-1:2014		
Applications	Indoor – Outdoor - Residential – Profesional Plastic box with Press-On Lid and punching entries Wiring, Junction or Extension – General Propose		
Installations	Exposed – Wall mounted		
	Wiring, Power, Lighting, Automation, Telecom, CCTV, FIBER		
Structural Material	Modified Thermoplastic Polyolefin		
Characteristics	IP Rate	55	
	Glow Wire Test	650 °C	
	Resistance - UV	LR	
	Resistance Chemicals	R	
	Resistance Impact	R	
	Dielectric Strength	400V	
	Temperature Range	-5 °C	+45 °C
	Color	Grey - RAL7035	



## PRESS-ON LID & KNOCK OUTS - IP55 90x43x40



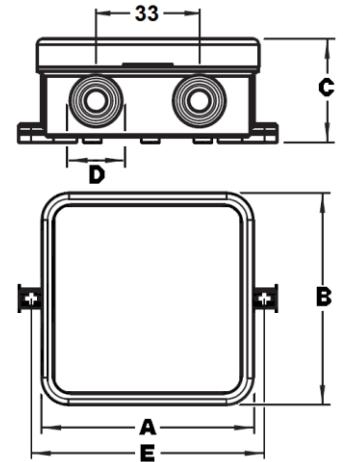
<b>TYPE</b>	<b>90x43x40</b>
<b>CODE</b>	32-21060-904
<b>A_mm</b>	90
<b>B_mm</b>	43
<b>C_mm</b>	40
Internal Dm / mm	80x32x35
<b>D_ Entries</b>	10
Cable Ø_mm	5 - 14
Cable cross section mm <sup>2</sup>	1,5 – 2,5
<b>E_mm</b>	97
Color	Grey RAL7035
Packing / pcs	40



## PRESS-ON LID & KNOCK OUTS - IP55 75x75x40



<b>TYPE</b>	<b>75x75x40</b>
<b>CODE</b>	32-20061-754
<b>A_mm</b>	75
<b>B_mm</b>	75
<b>C_mm</b>	40
Internal Dm / mm	66x66x35
<b>D_ Entries</b>	7
Cable Ø_mm	5 - 14
Cable cross section mm <sup>2</sup>	1,5 – 2,5
<b>E_mm</b>	84
Color	Grey RAL7035
Packing / pcs	32



## PRESS-ON LID & KNOCK OUTS - IP55 85x85x40



<b>TYPE</b>	<b>85x85x40</b>
<b>CODE</b>	32-20062-854
<b>A_mm</b>	85
<b>B_mm</b>	85
<b>C_mm</b>	40
Internal Dm / mm	75x75x35
<b>D_ Entries</b>	12
Cable Ø_mm	5 - 14
Cable cross section mm <sup>2</sup>	1,5 – 2,5
<b>E_mm</b>	92
Color	Grey RAL7035
Packing / pcs	32

