







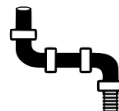


# CONDUITS CONNECTION & SUPPORT ACCESSORIES

COUPLING	BEND 90°	BEND 90° INSPECTABLE	JOINT "T" INSPECTABLE
			
SNAP CLIPS	OMEGA CLIPS	RACOR JOINT PIPE - BOX	GLAND JOINT PIPE - CONDUIT
			

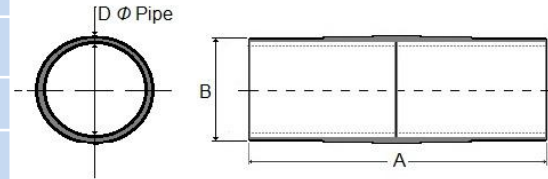
## TECHNICAL DATA SHEET

Reference:	LVD 2014/35/EU			
Directives & Standards:	EN 61386-1:2008 Cable Management, General Requirement EN 61386-21:2004 + A11:2010 Rigid Conduit System EN 61386-22:2004 + A11:2010 Pliable Conduit System EN 60529 Degrees of Protection - IP Rating			
RoHS Compliant	2022/95/EC Restriction of Hazardous Substances, RoHS			
Applications	Indoor	Outdoor	Industrial	Residential
Installations	Conduits Mounting and Connection Management System Exposed - Wall Mounted			
Characteristics:	Fits with Rigid and Pliable / Spiral conduits Cable management system Non Flame propagating - Self Extinguishing UV Resistant			
Structural Materials:	Thermoplastic Polymer			
IP Rating	Protection Solid	<b>X5</b>	Protection Water	<b>X4</b>
Temperature Range:	Lower Temperature range		- 15 °C	
	Higher Temperature range		+ 60 °C	
Color :	Grey (RAL 7035)			



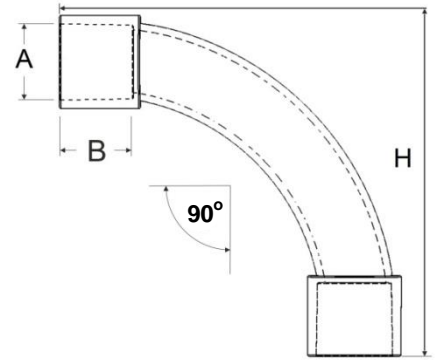
### COUPLINGS

TYPE:	16	20	25	32	40	50
CODE:	38-210 01-016	38-210 02-020	38-210 03-025	38-210 04-032	38-210 05-040	38-210 06-050
A / mm	60,3	69,5	78,9	88,5	99,1	99,2
B External Ø / mm	21,2	24,4	29,9	36,3	44,5	54,4
D Ø Pipe / mm	16	20	25	32	40	50
Packing / pcs	50	50	50	10	10	10



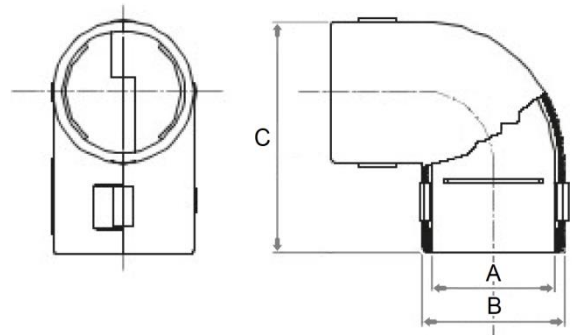
### BENDS 90°

TYPE:	16	20	25	32	40	50
CODE:	39-210 07-016	39-210 08-020	39-210 09-025	39-200 10-032	39-200 11-040	39-200 12-050
A / mm	16	20	25	32	40	50
B / mm	16	21,5	25,3	26,5	40,6	54,7
H / mm	70	90	114	131	163	225
Packing / pcs	50	50	10	5	5	5



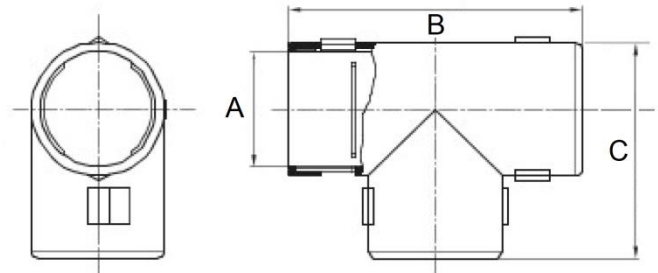
### INSPECTABLE BENDS 90°

TYPE:	16	20	25	32
CODE:	36-200 01-016	36-200 02-020	36-200 03-025	36-200 04-032
A / mm	16	20	25	32
B / mm	20,3	24,8	30,3	37,6
C / mm	41,6	49,1	53,5	62,4
Packing / pcs	10	10	10	5



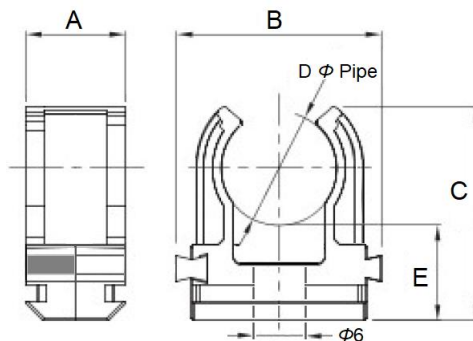
### INSPECTABLE JOINS "T"

TYPE:	16	20	25	32
CODE:	37-200 01-016	37-200 02-020	37-200 03-025	37-200 04-032
A / mm	16	20	25	32
B / mm	65,2	69,9	75	86,4
C / mm	42,3	47,2	52,8	62,2
Packaging / pcs	10	10	10	5



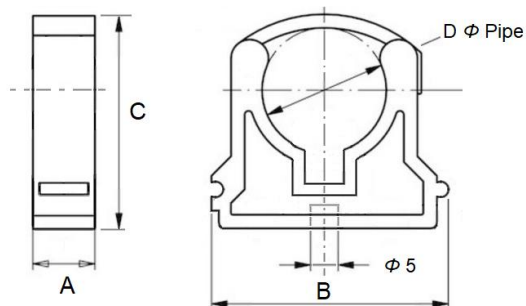
### SNAP CLIPS

TYPE:	16	20	25	32	40	50
CODE: 34-210	01-016	02-020	03-025	04-032	05-040	06-050
A / mm	12,6	12,6	12,8	12,8	12,8	12,7
B / mm	26	30	35,3	41,9	50,3	61,8
C / mm	27,4	30	33,6	37,5	43,7	51
D / Ø mm Pipe	16	20	25	32	40	50
E / mm	11,2	11,8	12	12,1	12,1	13
Packing / pcs	100	100	100	100	50	50



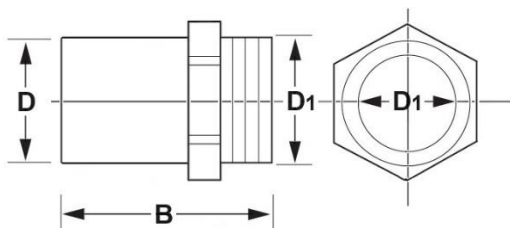
### OMEGA CLIPS

TYPE:	16	20	25	32
CODE: 41-201	01-016	02-020	03-025	04-032
A / mm	13,7	13,6	12,9	14,2
B / mm	32,4	39,2	41,4	51,2
C / mm	27,5	31,7	37,4	45,4
D Ø Pipe/ mm	16	20	25	32
Packing / pcs	100	100	50	50



### GLAND JOINT Pipe > Box

TYPE:	16	20	25	32
CODE: 33-200	30-016	31-020	32-025	34-032
B / mm	28	34	44	52
D Ø Pipe / mm	16	20	25	32
D <sub>1</sub>	M16	M20	M25	M32
Ø Box / mm	23	23	29	37
Packing / pcs	10	10	10	10



### RACOR JOINT Pipe > Box

TYPE:	16 >D23	16 >D29	20 >D23	20 >D29	25 >D29
CODE: 33-210	01-016	07-016	02-020	08-020	09-025
B / mm	15,7	15,7	15,7	15,7	15,7
D <sub>1</sub> Ø Pipe / mm	16	16	20	20	25
D / mm	23,5	29,5	23,3	29,4	29,1
Packing / pcs	10	10	10	10	10

