

COUPLING ECO HF



BEND ECO 90° HF



SNAP CLIP ECO HF



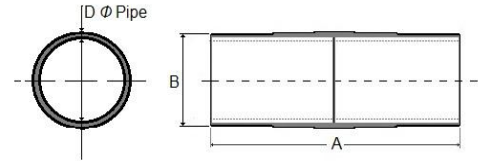
TECHNICAL DATA SHEET

| | | | |
|-----------------------|--|-----------|------------------------------|
| Reference: | LVD 2014/35/EU | | |
| Standards: | EN 61386-1:2008 Cable Management General Requirements EN 61386-21:2004 + A11:2010 Rigid Conduit Systems EN 60529 Degrees of Protection IP Rate | | |
| Smoke Density: | DIN EN 61034-2 (VDE0482-1034-2)2014-11:EN 61034-2:2005+A1:2013 | | |
| Acidity: | DIN EN 60754-2 (VDE 0482-754-2) : 2015-08 EN 60754-2:2014 | | |
| Halogen acid gas Vol: | DIN EN 60754-1 (VDE 0482-754-1) : 2015-08 EN 60754-1:2014 | | |
| ECO Solution | With a low environmental footprint contributing to the reduction of CO ₂ and the consumption of fossil fuels. | | |
| Applications | Outdoor, Indoor Contribute to reducing the environmental footprint of constructions | | |
| Installations | Residential, Industrial, Professional Electrical Installations | | |
| | Exposed - Wall mounted – (Rigid & Spiral Conduits) Wiring, Junction, Extension, Lighting, Power, Automation, Telecom | | |
| Characteristics: | COUPLING : Joins two runs of conduits | | |
| | BEND 90° : Joins and curve90° conduits runs | | |
| | CLIP Snap : Support and Secure to walls or joists conduits runs | | |
| | Plastic Accessories, Durable, Insulated | | |
| | In case of fire they don't release Halogen acids Chlorine, Fluorine, Bromine, Iodine, Astatine | | |
| UV Resistant | Solar UV radiation resistant | | |
| Structural Material: | Modified Thermoplastic Polyolefin | | |
| IP Rate | Solid Protection | X5 | Water Protection X4 |
| Temp. Range: | - 25 °C | | |
| | + 105 °C | | |
| Electric Properties: | Dielectric Strength | 2kv/15min | Insulation Resistance >100MΩ |
| Color | BLACK | | |



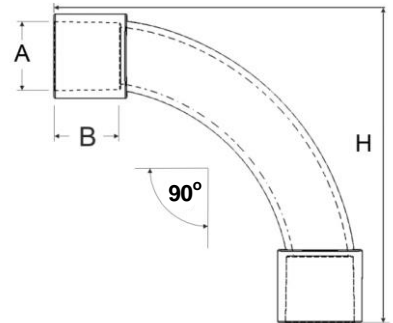
COUPLINGS ECO HF

| TYPE: | 16 | 20 | 25 | 32 |
|------------------|------------------|------------------|------------------|------------------|
| CODE: | 38-210 14-016 | 38-210 15-020 | 38-210 16-025 | 38-210 17-032 |
| A / mm | 60,3 | 69,5 | 78,9 | 88,5 |
| B Od Ø / mm | 21,2 | 24,4 | 29,9 | 36,3 |
| D.Pipe Od Ø / mm | 16 | 20 | 25 | 32 |
| Packing/ pcs | 100 | 100 | 100 | 50 |



BENDS 90° ECO HF

| TYPE: | 16 | 20 | 25 | 32 |
|------------------|------------------|------------------|------------------|------------------|
| CODE: | 39-200 30-016 | 39-200 31-020 | 39-200 32-025 | 39-200 33-032 |
| A.Pipe Od Ø / mm | 16 | 20 | 25 | 32 |
| B / mm | 16 | 21,5 | 25,3 | 26,5 |
| H / mm | 70 | 90 | 114 | 131 |
| Packing/ pcs | 50 | 50 | 10 | 5 |



CLIPS SNAP ECO HF

| TYPE: | 16 | 20 | 25 | 32 |
|------------------|------------------|------------------|------------------|------------------|
| CODE: | 34-210 10-016 | 34-210 11-020 | 34-210 12-025 | 34-210 13-032 |
| A / mm | 12,6 | 12,6 | 12,8 | 12,8 |
| B / mm | 26 | 30 | 35,3 | 41,9 |
| C / mm | 27,4 | 30 | 33,6 | 37,5 |
| E / mm | 11,2 | 11,8 | 12 | 12,1 |
| D.Pipe Od Ø / mm | 16 | 20 | 25 | 32 |
| Packing/ pcs | 50 | 50 | 50 | 10 |

