

CONDUITS CONECTION & SUPPORT ACCESSORIES

HALOGEN Free

COUPLING HF
RIGID

COUPLING HF
SPIRAL

BEND 90°
HF

GLAND HF

SNAP CLIP
HF

OMEGA CLIP
HF



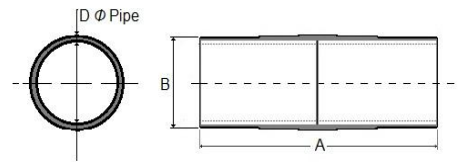
TECHNICAL DATA SHEET

Reference:	LVD 2014/35/EU		
Directives & Standards:	EN 61386-1:2008 Cable Management General Requirements EN 61386-21:2004 + A11:2010 Rigid Conduit Systems EN 61386-22:2004 + A11:2010 Pliable Conduit Systems EN 60529 Degrees of Protection IP Rate		
Smoke Density:	DIN EN 61034-2 (VDE0482-1034-2)2014-11:EN 61034-2:2005+A1:2013		
Acidity:	DIN EN 60754-2 (VDE 0482-754-2) : 2015-08 EN 60754-2:2014		
Amount of Halogen acid gas:	DIN EN 60754-1 (VDE 0482-754-1) : 2015-08 EN 60754-1:2014		
Applications	In Door - Residential - Industrial Cable routing Management Exposed - Wall mounted		
Installations	Wiring - Power – Lighting – Automation		
Characteristics:	Cable management system in combination with relevant conduit. Rigid - Pliable Non Flame propagating - Self Extinguishing In case of fire they don't release Halogen acids (Chlorine, Fluorine, Bromine, Iodine, Astatine)		
Structural Material:	Modified Thermoplastic Polyolefin		
IP Rate	Solid Protection	X5	Water Protection X4
Temperature Range:	- 25 °C + 105 °C		
Electrical Properties:	Dielectric Strength	2kv/15min	Insulation Resistance >100MΩ
Color	Grey - RAL 7035		

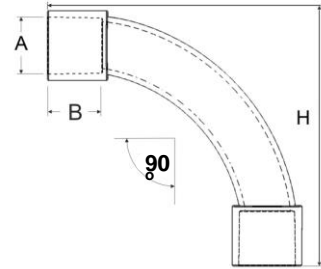


COUPLINGS - HF

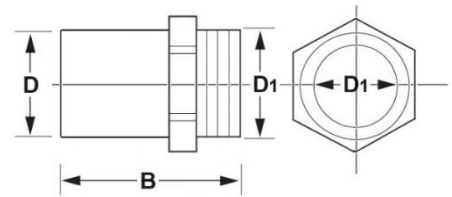
TYPE R:	RIGID 16	RIGID 20	RIGID 25	RIGID 32
CODE R: 38-200	30-016	31-020	32-025	33-032
TYPE S:	SPIRAL 16	SPIRAL 20	SPIRAL 25	SPIRAL32
CODE S: 38-200	20-016	21-020	22-025	23-032
A / mm	60,3	69,5	78,9	88,5
Od Ø B / mm	21,2	24.4	29,9	36,3
D Ø Od Pipe / mm	16	20	25	32
PACKING / pcs	50	50	50	10


BENDS 90° HF

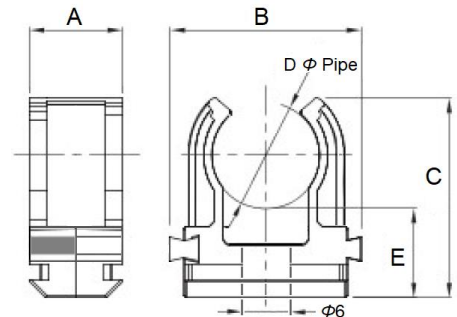
TYPE:	16	20	25	32
CODE: 39-200	20-016	21-020	22-025	23-032
A Ø Pipe / mm	16	20	25	32
B / mm	16	21,5	25,3	26,5
H / mm	70	90	114	131
PACKING / pcs	50	50	10	5


GLANDS JOIN HF Box > Pipe

TYPE:	16	20	25	32
CODE: 33-200	30-016	31-020	32-025	34-032
B / mm	16	20	25	32
D Ø Pipe / mm	16	20	25	32
D ₁ Ø / mm	M16	M20	M25	M32
Ø Box / mm	23	23	29	37
PACKING / pcs	10	10	10	10


SNAP CLIPS HF

TYPE :	16	20	25	32	40	50
CODE: 34-211	01-016	02-020	03-025	04-032	05-040	06-050
A / mm	12,6	12,6	12,8	12,8	12,8	12,7
B / mm	26	30	35,3	41,9	50,3	61,8
C / mm	27,4	30	33,6	37,5	43,7	51
D Ø Pipe / mm	16	20	25	32	40	50
E / mm	11,2	11,8	12	12,1	12,1	13
PACKING / pcs	100	100	100	100	50	50


OMEGA CLIPS HF

TYPE:	16	20	25	32
CODE: 41-200	01-016	02-020	03-025	04-032
A / mm	13,7	13,6	12,9	14,2
B / mm	32,4	39,2	41,4	51,2
C / mm	27,5	31,7	37,4	45,4
D Ø Pipe / mm	16	20	25	32
PACKING / pcs	100	100	50	50

