


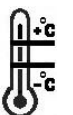


WATERTIGHT JUNCTION BOXES

SCREWED LID - IP55 100x100 – 120x80 – 150x110

TECHNICAL DATA SHEET

Directive	LVD 2014/35/EU					
Standards Amends	EN 60670-1:2005+A1:2013 Boxes and Enclosures, Electrical Installations EN 60670-22:2006 Boxes and Enclosures, Particular Requirements EN 60529 Degrees of Protection , Enclosures, IP Rate					
RoHS Compliant	2022/95/EC Restriction of Hazardous substances, RoHS					
Applications	Indoor – Outdoor - Residential – Industrial Plastic Junction box with Screwed Lid - Plastic Screws Wiring, Junction or Extension With flexible Glands, entries for Accessories - Conduits - Cables					
Installations	Exposed – Wall mounted					
	Wiring, Power, Lighting, Automation, Telecom, CCTV, 					
Material	Polyvinyl Chloride > U-PVC					
Characteristics	IP Rate	Solid	5	Water	5	
	Glow Wire Test	850 °C				
	Resistance - UV	R				
	Resistance - Chemicals	R				
	Resistance - Fire	FR-SE				
	Dielectric Strength	400V				
	Temperature range	-15 °C		+60 °C		
	Color.1	Grey RAL7035	Color.2	White		

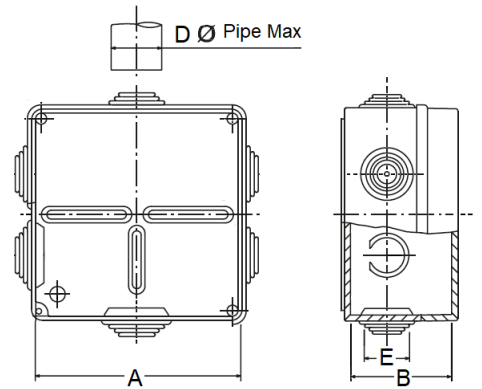


WATERTIGHT JUNCTION BOXES

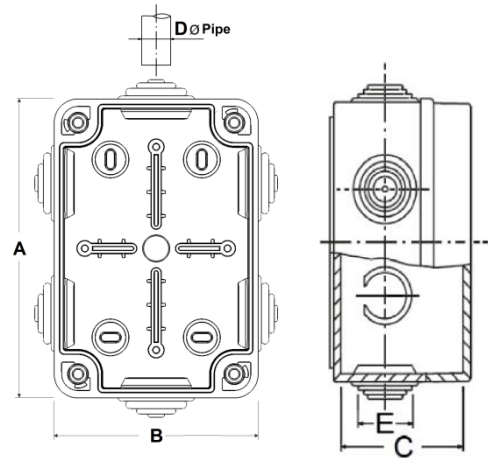
SCREWED LID - IP55



TYPE	100x100 PS/ G	100x100 PS/ W
CODE	32-21009-100	32-21024-100
A _mm	105	105
B _mm	50	50
D Pipe OD Ø _mm	16/20/25	16/20/25
E Entries Ø _mm	29	29
COLOR	Grey	White
PACKING / pcs	60	60



TYPE	120x80
CODE	32-21006-120
A _mm	120
B / mm	80
C / mm	50
D Pipe OD Ø _mm	16/20/25
E Entries Ø _mm	29
COLOR	Grey
PACKING / pcs	50



TYPE	150x110
CODE	32-21007-150
A _mm	150
B / mm	110
C / mm	70
D Pipe OD Ø _mm	16/20/25
E Entries Ø _mm	29
COLOR	Grey
PACKING / pcs	24

