




WATERTIGHT JUNCTION BOXES

SCREWED LID & KNOCK OUTS - IP65
100x100.PS - 120x80 - 150x110

TECHNICAL DATA SHEET

Directive	LVD 2014/35/EU				
Standards Amends	EN 60670-1:2005+A1:2013 Boxes and Enclosures, Electrical Installations EN 60670-22:2006 Boxes and Enclosures, Particular Requirements EN 60529 Degrees of Protection , Enclosures, IP Rate				
RoHS Compliant	2022/95/EC Restriction of Hazardous substances, RoHS				
Applications	Indoor – Outdoor - Residential – Industrial Plastic box with Hinged Screwed Lid Wiring, Junction or Extension – General Proposes With Knock Out entries for Accessories - Conduits – Cables, etc				
Installations	Exposed – Wall mounted				
	Wiring, Power, Lighting, Automation, Telecom, CCTV, 				
Material	Polyvinyl Chloride > U-PVC				
Characteristics	IP Rate	Solid	6	Water	5
	Glow Wire Test	850 °C			
	Resistance - UV	R			
	Resistance - Chemicals	R			
	Resistance - Fire	FR-SE			
	Dielectric Strength	+400V			
	Temperature range	-15 °C		+60 °C	
	Color.1	Grey RAL7035			



IP65

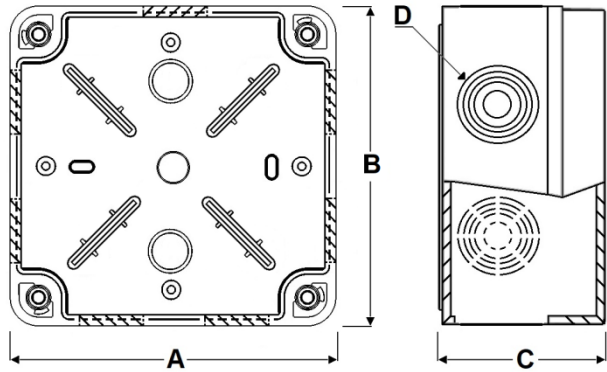


WATERTIGHT JUNCTION BOXES

KNOCK OUT 100x100 PS

IP65

TYPE	100x100 PS
CODE	32-21045-100
Lid Screws	Plastic
A _mm	105
B _mm	105
C / mm	55
D Entries Max OD Ø_mm	29
COLOR	Gray
PACKING / pcs	60



KNOCK OUT 120x80 - 150x110

IP65

TYPE	120x80	150x110
CODE	32-21042-120	32-21043-150
Lid Screws	Plastic	Plastic
A _mm	120	150
B _mm	80	110
C / mm	50	70
D Entries Max OD Ø_mm	25	32
COLOR	Gray	Gray
PACKING / pcs	50	24

